



semi-automatic

STAR DELTA STARTER

SIEMENS

Siemens 3TS02 – a reliable semi-automatic star delta starter specially suited for switching and protecting motors upto 25HP

The new semi-automatic star delta starter has been specially built to meet the submersible pumps need and offer the highest level of quality. Starters are available upto 25HP.

Unmatched contactor

Siemens semi-automatic starter is incorporated with the robust contactor to take care of adverse environmental conditions. Contactors are rated for 25A (AC3 duty) with high mechanical and electrical life. Unmatched performance and reliability boost the efficiency and safety of the starter. Since the contactor is spring operated, starter can be mounted at any inclination. Special changover timer incorporated in the design to prevent premature failure of contactor.

Latest range of Bimetal Relay

Starters are equipped with our latest range of Bimetal relay type 3UW50 with adjustable overload and single phase protection. They provide accurate and reliable protection to motors against overload and single phasing as per 'Class 10A' in conformance to IS 13947-4-1

Highest quality

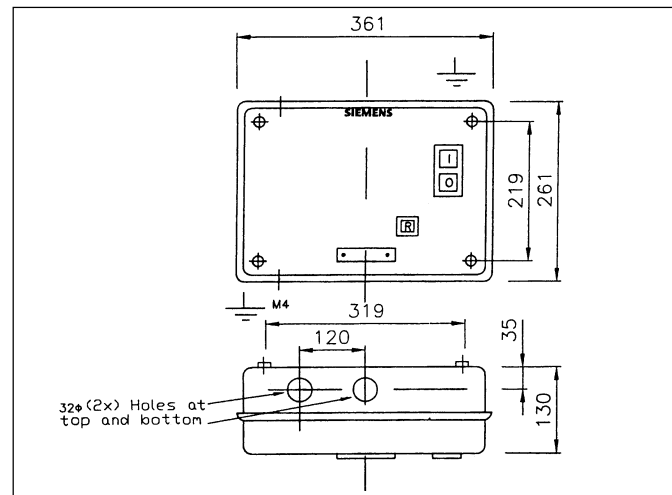
Siemens is always concerned about offering consumers the highest level of quality. Accordingly, Siemens starters comply with the most stringent IS 13947 standards.

Operation of Starter :

When ON button is pressed the motor starts in 'star' and continues to run in star till ON button is kept pressed. When the ON button is released it changes over to 'delta'. **The ON button should be released when the motor reaches normal speed.**

Features :

- Equipped with robust 25 A (AC3) contactor.
- Accurate protection from overload and single phasing.
- Wide band coil available
- High mechanical and electrical life.
- The Contactor is Spring operated hence starter can be mounted at any inclination.
- Easy to maintain
- Conforming to IS: 13947 (Part4)



Motor Rating at 415V, 3ph 50Hz		Overload Starter Type	Back up Relay Range 3UW50	HRC fuse Rating	Recommended Cu cable size (mm ²)	
HP	kW				Incoming (from supply)	Outgoing (to motor)
10	7.5	3TS02 90-0A * 74	6.3 - 10 A	25	4	2.5
12.5	9.3	3TS02 90-0A * 75	8 - 12.5 A	25	4	2.5
15	11	3TS02 90-0A * 77	10 - 16 A	32	4	2.5
20	15	3TS02 90-0A * 78	12.5 - 20 A	50	10	4
25	18.5	3TS02 90-0A * 79	16 - 25 A	50	10	4

* Enter code for coil voltage

Codes for coil voltage

Coil Supply AC 50Hz	230 - 400 V	415 V
Code	D	W

Siemens Ltd.
Automation & Drives Division
LV Controls & Distribution Products
Thane Belapur Road
Thane - 400 601
Fax: +91 22 27600076
E-mail: AD.CDPM@kwa2.siemens.co.in

Siemens Ltd
SGR-01-103-043

'Product development is a continuous process. Consequently, the data indicated in this leaflet is subject to change without prior notice. For latest issue contact our Sales Offices.'